

GS66AC45H

STANDARD MATERIALS AND CONSTRUCTION

FRAME: 16-GA galvanized steel.

BLADE: 18-GA galvanized steel airfoil exterior with 22-GA galvanized perforated steel interior surface.

INSULATION: Eco-Sound insulation.

SCREEN: 1/2" sq. mesh, galvanized steel (.041")

FINISH: Mill.

OPTIONS

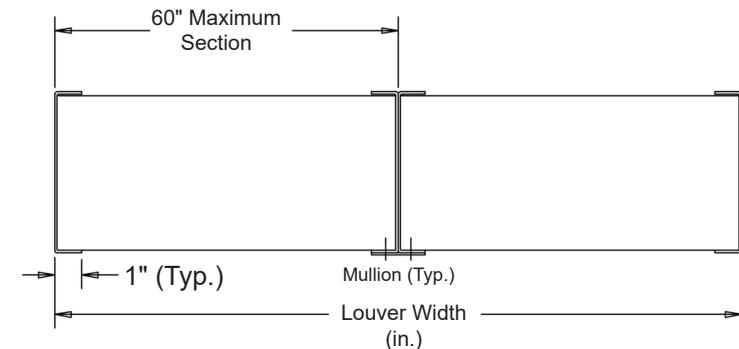
Finish - Baked Enamel, Kynar, Anodize

NOTES

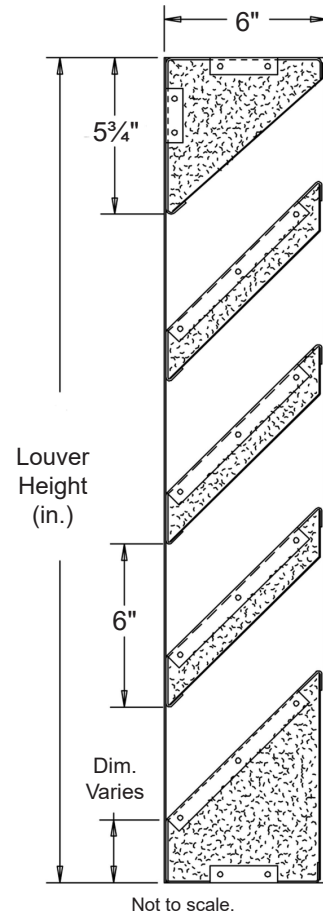
1. Nominal deductions will be made to the opening size given.

LOUVER SIZES

| | |
|-------------|------------------|
| Min Panel | Max Single Panel |
| 12"W x 24"H | 60"W x 96"H |



Louver Top View



In the interest of product development, Airline Louvers reserves the right to make changes without notice.

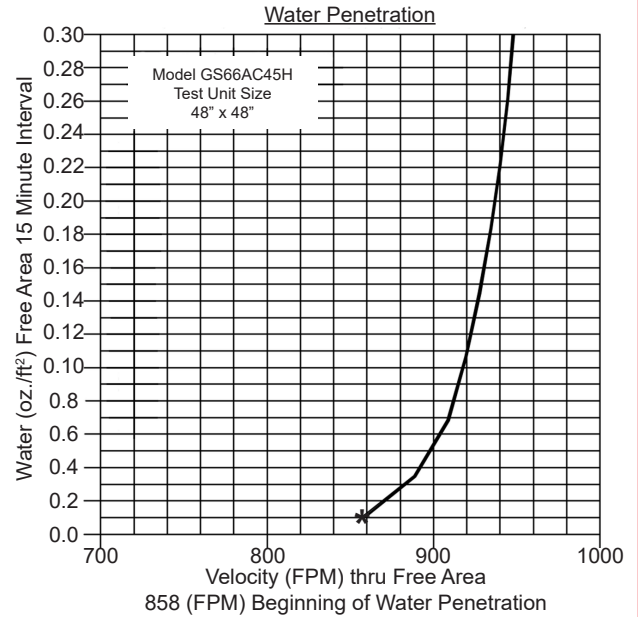
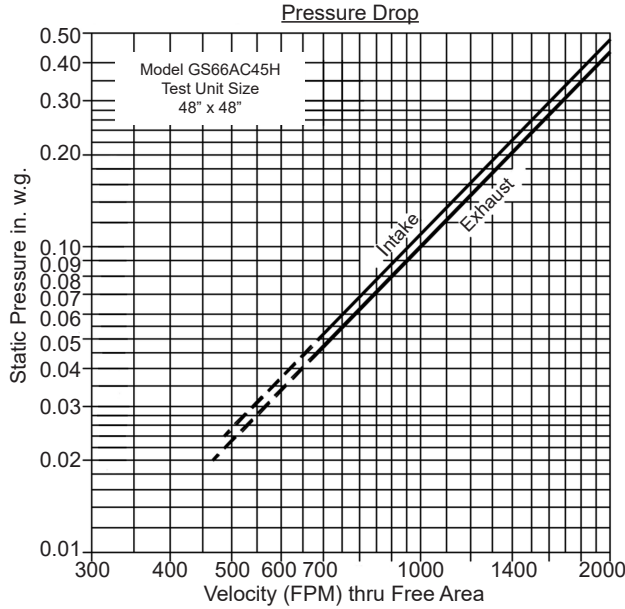
| Item # | Qty | Width | Height | Width | Height | Mullion | Type | Location | Union Made |
|-----------------------|-----|--------------|--------|-------------|--------|--------------|---------|-------------|-------------|
| | | Opening Size | | Louver Size | | | Screens | | |
| Arch. / Eng. : | | | | | | EDR: | | ECN: | Job: |
| Contractor: | | | | | | | | | |
| Project: | | | | | | Date: | | DWN: | DWG: |



GS66AC45H

PERFORMANCE DATA

Ratings do not include effects of a screen.



Intake air converted to standard air density.
Tested to AMCA Standard 500-L, Figure 5.5.

Transmission Loss

| | | | | | | | | |
|------------------------------|----|-----|-----|-----|------|------|------|------|
| Octave Band | 1 | 2 | 3 | 4 | 5 | 6 | 7 | 8 |
| Frequency (Hz) | 63 | 125 | 250 | 500 | 1000 | 2000 | 4000 | 8000 |
| Sound Transmission Loss (db) | 4 | 4 | 2 | 4 | 8 | 12 | 8 | 9 |
| Free Field Noise Reduction | 10 | 10 | 8 | 10 | 14 | 18 | 14 | 15 |

Attenuation

Octave Band Center Frequency (Hz)

| Distance from Louver (ft) | Octave Band Center Frequency (Hz) | | | | | | | |
|---------------------------|-----------------------------------|---------|---------|---------|----------|----------|----------|----------|
| | 1 / 63 | 2 / 125 | 3 / 250 | 4 / 500 | 5 / 1000 | 6 / 2000 | 7 / 4000 | 8 / 8000 |
| 0' | 10 | 10 | 8 | 10 | 14 | 18 | 14 | 15 |
| 10' | 22 | 22 | 20 | 22 | 26 | 30 | 26 | 27 |
| 50' | 36 | 36 | 34 | 36 | 40 | 44 | 40 | 41 |
| 100' | 42 | 42 | 40 | 42 | 46 | 50 | 46 | 47 |
| 200' | 48 | 48 | 46 | 48 | 52 | 56 | 52 | 53 |
| 500' | 56 | 56 | 54 | 56 | 60 | 64 | 60 | 61 |
| 1000' | 62 | 62 | 60 | 62 | 66 | 70 | 66 | 67 |

Attenuation chart is a combination of the Model GS66AC45H sound transmission loss and the reduction of sound energy as a function of distance.

Free Area (sq. ft.)

| | | Width (in.) | | | | | | | |
|--------------|-----|-------------|------|------|------|------|------|-------|-------|
| | | 12" | 24" | 30" | 36" | 42" | 48" | 54" | 60" |
| Height (in.) | 24" | .39 | .87 | 1.10 | 1.34 | 1.58 | 1.81 | 2.05 | 2.29 |
| | 36" | .66 | 1.45 | 1.84 | 2.23 | 2.63 | 3.02 | 3.42 | 3.81 |
| | 48" | .92 | 2.02 | 2.58 | 3.13 | 3.68 | 4.23 | 4.78 | 5.34 |
| | 60" | 1.18 | 2.60 | 3.31 | 4.02 | 4.73 | 5.44 | 6.15 | 6.86 |
| | 72" | 1.45 | 3.18 | 4.05 | 4.92 | 5.78 | 6.65 | 7.52 | 8.39 |
| | 84" | 1.71 | 3.76 | 4.78 | 5.81 | 6.84 | 7.86 | 8.89 | 9.91 |
| | 96" | 1.97 | 4.34 | 5.52 | 6.70 | 7.89 | 9.07 | 10.25 | 11.44 |